

CDC Guidance confirms: 15 minutes collective exposure can transmit Covid-19 through aerosols. Exchange air at least 4 times per hour with UV-C treatment in enclosed spaces to sufficiently impact Indoor Air Quality (IAQ) and deactivate SARS-CoV-2



How do we know the AirGenie™ works?

What is Ultraviolet C (UV-C)?

Ultraviolet light can kill or inactivate microorganisms to prevent them from reproducing. UVC light at 253.7 nanometers provides the greatest germicidal effect. This process is known as Ultraviolet Germicidal Inactivation (UVGI).

The AirGenie™ delivers 85000 mJ/m² – of UV-C destruction with every pass

- 30 times guidelines for 99.9%
- Airflow: 985 cubic feet per minute (59,100 cubic feet/hour)

AirGenie™ Sanitizer Specification Sheet

Models AG-2200, AG-2300

Continuously Provides 99.9%
Virus-Free Air For Classrooms



6 Air Changes Per Hour (ACH) or 50% More than minimum CDC guidance would suggest! = 100% Of Air In The Room Is Sanitized Every 10 Minutes*

Features & Benefits:

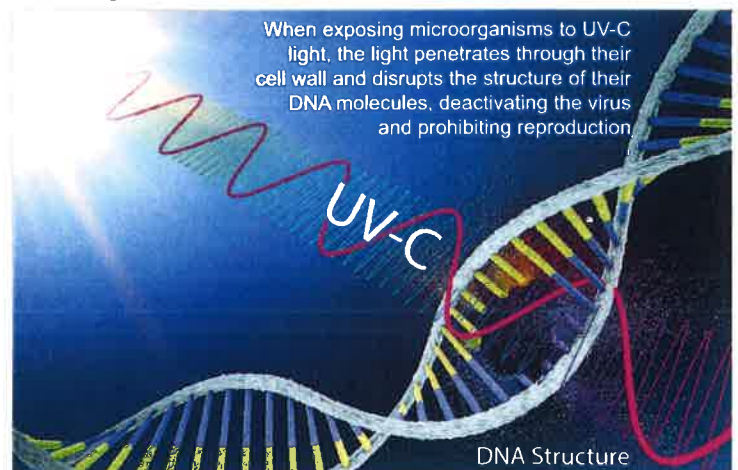
- Patent Pending UV-C design for virus destruction in aerosolized droplets
- High volume low speed air flow for maximum effectiveness and comfort
- Multidirectional airflow for greater distribution of sterilized air
- Minimal 45° L x 12"D x 39"H or 45"L x 15"D x 39"H
- Specifically designed for K12 classrooms
- Ozone-free UV-C at 254 Nanometer wavelength that is proven highly lethal to virus and bacteria
- Designed for use in occupied spaces
- Quiet operation - 52DB
- UV-C lamps rated for up to 10,000 hours max over entire life-cycle = 6.9 years in typical classroom setting (8-hrs/day; 180 days/year)
- Heavy-duty stainless steel and aluminum construction

Easy Operation: Plug-n-Play

- Works with existing outlets - No special electrical required
- 120 volts, 9.2 amps with 6 foot cord -NEMA 5-15 plug.
- Mobile unit with casters and stabilizer cables
- Replaceable Electrostatic MERV filters available, optional

Manufacturing Expertise:

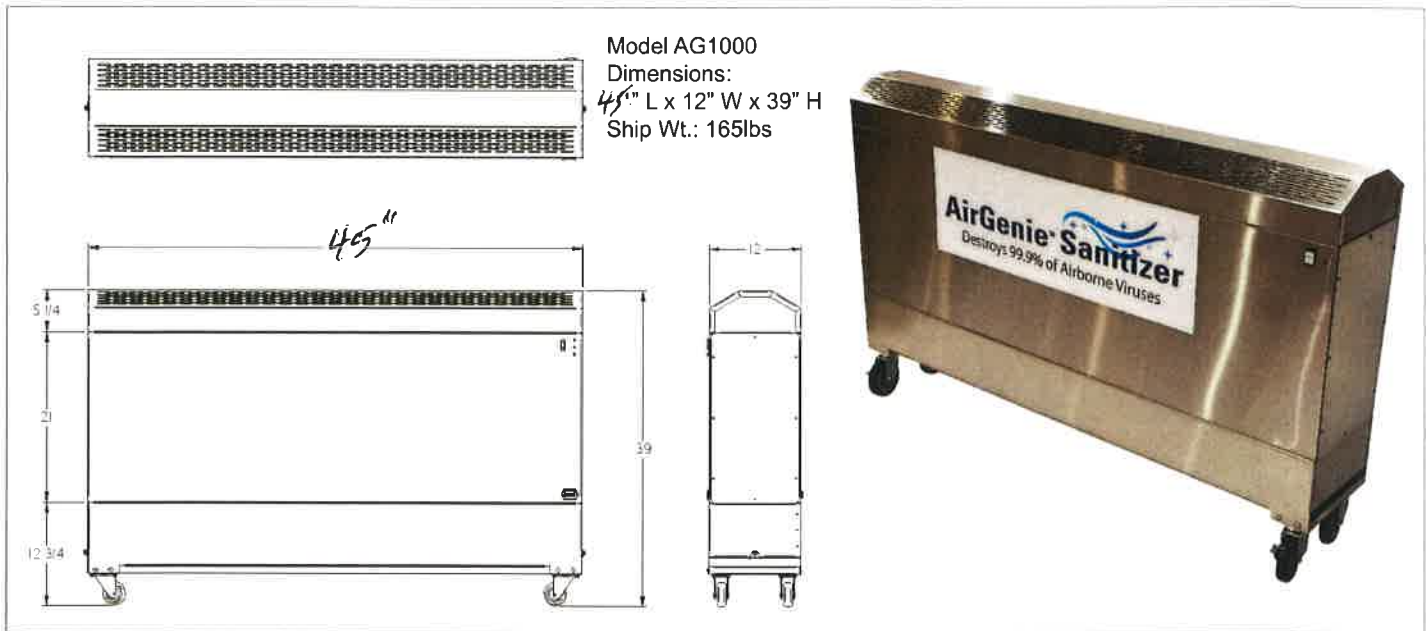
- 15 years of manufacturing experience with UV applications
- Designed and manufactured in USA



DASH
PACIFIC CORPORATION
Daly Stevens
ENVIRONMENTAL, INDUSTRIAL, & SAFETY SUPPLIES
111 Hekili St. Ste. A106 Kailua, HI, 96734
Ph 808-230-2422 Fax 808-230-2433

Email: dashpac@aol.com
www.dashpacific.com

AirGenie™ Sanitizer Specification Sheet



Why is this so important?

239 Experts With One Big Claim: The Coronavirus Is Airborne

Ventilation systems in schools, nursing homes, residences and businesses may need to minimize recirculating air and add powerful new filters. Ultraviolet lights may be needed to kill viral particles floating in tiny droplets indoors.
<https://www.nytimes.com/2020/07/04/health/239-experts-with-one-big-claim-the-coronavirus-is-airborne.html?smid=em-share>

The Centers for Disease Control and Prevention

On Wednesday expanded how it defines a "close contact" of someone with Covid-19 as it released new evidence showing the coronavirus can be passed during relatively brief interactions. Previously, the CDC described a close contact as someone who spent 15 minutes or more within six feet of someone who was infectious. Now, the agency says it's someone who spent a cumulative 15 minutes or more within six feet of someone who was infectious over 24 hours, even if the time isn't consecutive, according to an agency spokesperson. <https://www.statnews.com/2020/10/21/cumulative-time-covid-19-spread/>

World Health Organization

An aerosol is a respiratory droplet so small it may linger in the air. In its latest description of how the virus is spread, the agency said transmission of the virus by aerosols may have been responsible for "outbreaks of Covid-19 reported in some closed settings, such as restaurants, nightclubs, places of worship or places of work where people may be shouting, talking or singing."
<https://www.nytimes.com/2020/07/09/health/virus-aerosols-who.html>

Dr. Fauci, M.D. National Institute of Allergy and Infectious Diseases Director

Dr. Fauci indicated it has become much clearer that someone is likely at greater risk if they're in an indoor space where there's less air circulation and any degree of aerosolization.
"I've spoken to superintendents and principals, and recommend if possible, outdoors, better than indoors. If possible, keep the classrooms well ventilated with the windows open if possible, wearing a mask, physical separation, desks that are put further apart, if you could possibly, physically do that," Dr. Fauci said.
<https://www.washingtonpost.com/politics/2020/08/07/health-202-anthony-fauci-believes-some-schools-can-reopen-safely/>